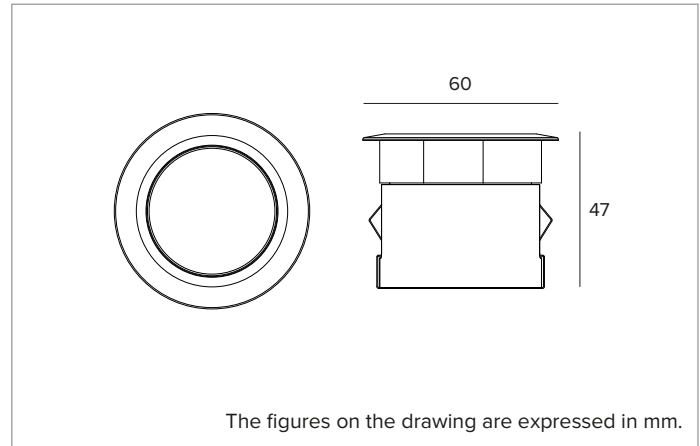


## E044SPL827CEB | Keplero Quantum 60

### Recessed professional projector with a fixed optical unit



	2700K	H(m)	D(m)	Emax(lx)		
	Ra80		17°			
	Fixture Power	5W	1	0.30	2549	
	Source Flux	560lm	2	0.59	637	
	Fixture Flux	396lm	3	0.89	283	
	Efficacy	84lm/W	4	1.18	159	
TS2233	I <sub>max</sub> =4553cd/klm	I <sub>max</sub>	2549cd	5	1.48	102



#### SOURCE

High efficiency Chip on Board LED. 2700K (Ra80) colour temperature.

**Energy efficiency class:** D

**Nominal power:** 4,2W

**Nominal flux:** 560lm

**Colour rendering index:** 80

**Rf:** 80

**Rg:** 97

**CCT nominal:** 2700K

#### ILLUMINOTECHNICAL CHARACTERISTICS

Optical grade PMMA lens and holographic diffusing filter.

**Optic:** LENS

**Beam angles:** SP

**Optical efficiency:** 71%

**Fixture flux:** 396lm

**Luminous efficacy:** 84lm/W

**Photobiological safety:** Compliant with RG1 low risk group

#### MECHANICAL CHARACTERISTICS

Aluminium body made by CNC machining process and treated with black anodizing. Ultra flat decorative ring with a flared edge, made of brushed stainless steel (AISI 316) in a eclipse black finish. Extra clear protective glass.

**Colour and finish:** Eclipse black

**Version:** CLEAR GLASS

**Degree of protection:** IP66,IP67,IP68

**Mechanical Resistance:** IK10

#### ELECTRICAL CHARACTERISTICS

24Vdc power supply. ON-OFF, DALI2 remote driver to be ordered separately. Precabled with 1,5m 2x0,5mm<sup>2</sup> cable. Casambi control system available via accessory (for products with DALI2 driver only).

**Fixture Power:** 5W

**Power supply:** 24Vdc

**Insulation Class:** CLASS 3

**Driver included:** NO

**Class F:** YES

**Ambient temperature:** -25°C / +35°C

#### INSTALLATION

In-ground installation by a reinforced nylon sleeve, to be ordered separately. Sleeves are available for flush or trim installation. 20kN resistance to static load. Wall/ceiling installation by the accessory mounting systems.

#### NOTES

IP68: the fixture is not suitable for permanent underwater installation but can withstand temporary accidental immersion to a depth of 1.5 metres (max.1h). All the Keplero Quantum 60 versions (except all-glass versions) meet the drive-over and walk-over requirements set out in the EN 60598-2-13 standard. Low temperatures on the glass make them suitable even for installation in "special areas", such as spaces for children. It features the "Waterblock Smart" technical solution which involves resin-sealing the connection cables to minimize the risk of moisture rising into the fixture. Commissioning of the control system via free APP; the intervention of a specialist technician can be quoted on request.

#### WARRANTY

5 years.

#### WARNING

Luminaire designed for disposal/recycling at end-of-life. Replaceable (LED only) light source by a professional. Non-replaceable control gear.

*Due to the technological evolution of the electronic components, the data provided may be updated, and as such, confirmation must be requested during the order process.*

*Luminous flux and power supply have +/-10% tolerances with respect to the indicated value. tq +25°C (CIE 121).*

*We reserve the right to make technical changes.*

Targetti Sankey S.r.l.  
Via Pratese, 164  
50145 Firenze - Italy  
Tel: +39 055 37911  
targetti.com  
targetti@targetti.com

CCIAA Firenze  
Share Capital:  
€ 500.000,00  
VAT N. (IT):  
01537660480  
R.E.A.: FI-275656

**TARGETTI**

## E044SPL827CEB | Keplero Quantum 60

### Recessed professional projector with a fixed optical unit

## Related codes

### Sleeve



L mm	H mm	P mm	Code
190	100	190	<b>A129</b>

Reinforced nylon installation sleeve.  
The sleeve is designed for the trim installation of the fixture.  
Complete with a cover element to protect the recessed housing during concrete pouring.  
Ax/B 190x190 H. 100



L mm	H mm	P mm	Colour	Code
190	101	190	●	<b>A130EB</b>

Reinforced nylon installation sleeve.  
The sleeve is designed for the flush installation of the fixture.  
Complete with a cover element to protect the recessed housing during concrete pouring.  
Ax/B 190x190 H. 101

### Mounting System



Code

**A132**

Steel spring kit for wall and ceiling installations.

### Power Supply

Dimensions LxHxP mm	Power	Power supply	Output voltage	IP	Code
171x37x62	60W MAX	220-240Vac	24Vdc	IP67	<b>A134EL</b>
228x39x68	150W MAX	220-240Vac	24Vdc	IP67	<b>A137EL</b>

Electronic ON-OFF power supply.

Dimensions LxHxP mm	Power	Power supply	Output voltage	IP	Code
150x35x53	60W MAX	220-240Vac	24Vdc	IP67	<b>A134D2</b>
191x38x63	120W MAX	220-240Vac	24Vdc	IP67	<b>A136D2</b>

DALI2 power supply.

## Accessories

### Connector



Code

**1E2493**

Linear connection box IP68.  
4 poles max. wire section 2.5mm<sup>2</sup>.  
Cable diameter range from 7 to 12mm.



Code

**1E2494**

Multiple connection box IP68.  
1 IN - 3 OUT 4 poles max. wire section 2.5mm<sup>2</sup>.  
Cable diameter range from 6 to 12mm.

Due to the technological evolution of the electronic components, the data provided may be updated, and as such, confirmation must be requested during the order process.  
Luminous flux and power supply have +/-10% tolerances with respect to the indicated value. tq +25°C (CIE 121).

We reserve the right to make technical changes.

Targetti Sankey S.r.l.  
Via Pratese, 164  
50145 Firenze - Italy  
Tel: +39 055 37911  
targetti.com  
targetti@targetti.com

CCIAA Firenze  
Share Capital:  
€ 500.000,00  
VAT N. (IT):  
01537660480  
R.E.A.: FI-275656

# TARGETTI

**E044SPL827CEB | Keplero Quantum 60**  
Recessed professional projector with a fixed optical unit

**Tool**



Code

**1E3305**

Tightening wrench for the connector kit.

*Due to the technological evolution of the electronic components, the data provided may be updated, and as such, confirmation must be requested during the order process.  
Luminous flux and power supply have +/-10% tolerances with respect to the indicated value. tq +25°C (CIE 121).*

*We reserve the right to make technical changes.*

*Targetti Sankey S.r.l.  
Via Pratese, 164  
50145 Firenze - Italy  
Tel: +39 055 37911  
targetti.com  
targetti@targetti.com*

*CCIAA Firenze  
Share Capital:  
€ 500.000,00  
VAT N. (IT):  
01537660480  
R.E.A: FI-275656*

**TARGETTI**